

FS-1

Floor stand



A versatile column and a stable baseplate



The FS-1 floor stand is a cost-effective and space-saving solution for examination rooms. It includes a stable baseplate with a fixed column for various phoropter holders, a chart projector bracket, and a reading light. The up-light ensures comfortable and uniform room lighting. It is compatible with Topcon's ophthalmic chairs, which can be easily moved for wheelchair access. An optional cabinet is also available for storing the CV-5000 power supply and controller KB-50S. Compact, user-friendly, and durable, the FS-1 floor stand is a valuable addition to any examination room.

FS-1 accessories

OC-8

OC-9



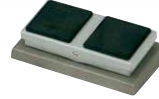
Colours

The OC-8 has a fixed back and is available in blue and dark grey. Can be completed with an optional footrest.

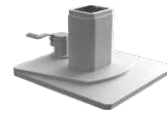
Optional accessories



Footrest



Up-down footswitch



OC-8 baseplate available with or without wheels

OC-10 / OC-12 / OC-14



Colours

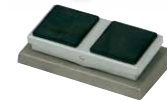
OC-10 with armrests

OC-12 without armrests

OC-14 with armrests



Footrest for OC-10 / OC-12



Up-down footswitch



OC-10 / OC-12 baseplate available with or without wheels

FS-1 optional accessories



Projector bracket



FS-1 dark grey cabinet

Phorofter supports



VT-670 mechanical lock arm



VT-671 balance arm



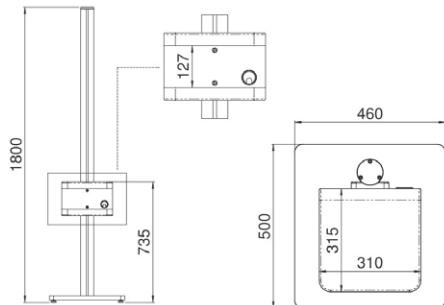
VT-72 linear arm

Specifications of

FS-1

Baseplate colour	Grey		
Column colour	Silver grey		
Cabinet colour	Dark grey		
Lamp	220V, white plastic cover		
Dimensions	460mm (W) × 500mm (D) × 1800mm (H)		
Weight (column & base)	53.5kg		
Phoroopter support	VT-670	VT-671	VT-72
Load capacity range	4.5 to 10 kg (adjustable)		
Positioning lock	Mechanical	Counterbalanced	Autostop
Net weight of phoroopter arm	6.6kg	6.6kg	9kg
Linear movement	Manual		
Cable management kit	Optional		

Dimensions



TOPCON CORPORATION

75-1 Hasunuma-cho, Itabashi-ku, Tokyo 174-8580, JAPAN.
Phone: +81-(0)3-3558-2522/2502 Fax: +81-(0)3-3965-6898
www.topconhealthcare.jp

ANCAR

Antoni Carles, S.A.
Carrer de la Volta dels Garrofers 41-42
08340 Vilassar de Mar Spain



TOPCON HEALTHCARE SOLUTIONS EMEA OY

Saaristonkatu 9, 90100 Oulu, FINLAND
Phone: +358-20-734-8190
E-mail: thsema.sales@topcon.com
www.topconhealthcare.eu

TOPCON SCANDINAVIA

Neogatan 2, P.O.Box 25, 43151 Mölndal
SWEDEN
Phone: +46-(0)31-7109200
Fax: +46-(0)31-7109249
E-mail: info.hcs.se@topcon.com
www.topconhealthcare.eu/sv_SE

TOPCON FRANCE MEDICAL

1 rue des Vergers, Parc Swen,
Bâtiment 2, 69760 Limonest, FRANCE
Phone: +33-(0)4-37 58 19 40
Fax: +33-(0)4-72 23 86 60
E-mail: topconfrance@topcon.com
www.topconhealthcare.eu/fr_FR

TOPCON GREAT BRITAIN MEDICAL

Topcon House, Kennet Side, Bone Lane,
Newbury, Berkshire RG14 5PX
UNITED KINGDOM
Phone: +44-(0)1635-551120
Fax: +44-(0)1635-551170
E-mail: medical.tgbm@topcon.com
www.topconhealthcare.eu/en_UK

TOPCON EUROPE MEDICAL B.V.

Essebaan 11, 2908 LJ Capelle a/d IJssel
P.O. Box 145, 2900 AC Capelle a/d IJssel
THE NETHERLANDS
Phone: +31-(0)10-4585077
Fax: +31-(0)10-4585045
E-mail: medical@topcon.com
www.topconhealthcare.eu

TOPCON ESPAÑA

Oficina Principal en España
Frederic Mompou, 4,
08960 Sant Just Desvern, Barcelona, SPAIN
Phone: +34-93-4734057
Fax: +34-93-4733932
E-mail: medica@topcon.com
www.topconhealthcare.eu/es_ES

TOPCON DEUTSCHLAND MEDICAL

Hanns-Martin-Schleyer Strasse 41,
D-47877 Willich, GERMANY
Phone: (+49)2154-885-0
Fax: (+49)2154-885-177
E-mail: info@topcon-medical.de
www.topconhealthcare.eu/de_DE

TOPCON IRELAND MEDICAL

Unit 292, Block G, Blanchardstown,
Corporate Park 2 Ballycoolin
Dublin 15, D15 DX58, IRELAND
Phone: +353-1223280
E-mail: medical.ie@topcon.com
www.topconhealthcare.eu/en_IE

TOPCON DANMARK

Praestemarksvej 25, 4000 Roskilde
DANMARK
Phone: +45-46-327500
Fax: +45-46-327555
E-mail: info.todk@topcon.com
www.topconhealthcare.eu/dk_DK

TOPCON ITALY

Viale dell'Industria 60,
20037 Paderno Dugnano, (MI) ITALY
Phone: +39-02-9186671
E-mail: info_tit@topcon.com
www.topconhealthcare.eu/it_IT

TOPCON POLSKA SP. Z. O. O.

ul. Warszawska 23, 42-470 Siewierz
POLAND
Phone: +48-(0)32-670-50-45
Fax: +48-(0)32-671-34-05
E-mail: info.tpl@topcon.com
www.topconhealthcare.eu/pl_PL

IMPORTANT In order to obtain the best results with this instrument, please be sure to review all user instructions prior to operation.

Not all products, services or offers are approved or offered in every market, and products vary from one country to another. Contact your local distributor for country-specific information and availability.

©Topcon Corporation | M000080E-2 | This product is in conformity with Regulation EU 2017/745 on medical devices (MDR).